

Condensing unit - indoor

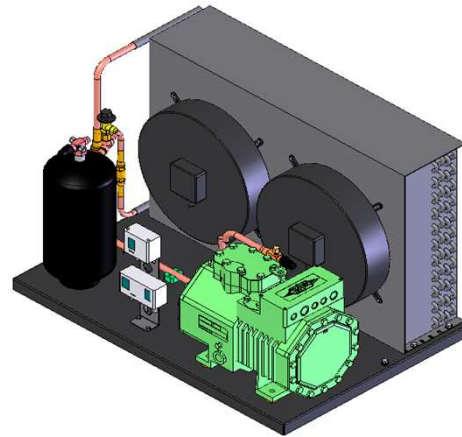
CUB - M,L small

BITZER
NEW ECOLINE
semi-hermetic
reciprocating

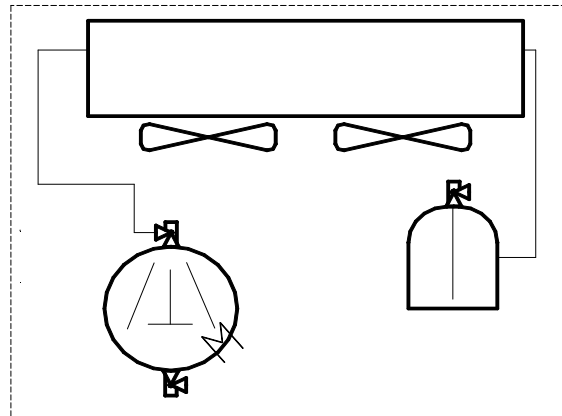
Explanation of model example:

CUB - M - 2DES-3Y

Condensing unit
Compressor Bitzer
Medium temperature
Type of compressor
with Ester oil



Scheme with included parts:



R404A

0°C ~ - 20°C

M - Medium temperature

- 20°C ~ - 40°C

L - Low temperature

Suction gas superheat 10°C
Liquid subcooling 2 K
Ambient temperature 32°C

Included:

compressor with crankcase heating, air cooled condenser with 2 fans, base plate, liquid receiver with rotalock valve.

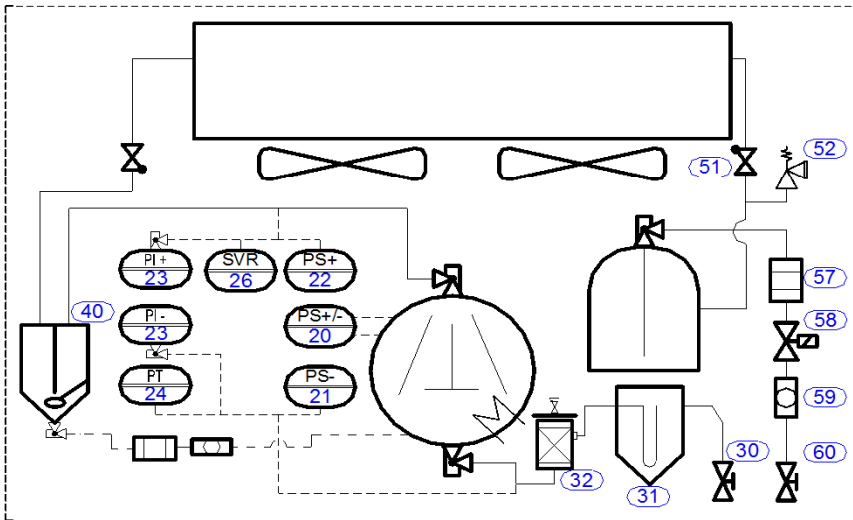
Optional:

HP/LP protection pressostat, HP or LP pressostat, fluent fan speed regulator, pressure gauges and transmitters, ball valves, suction filter, oil separator with equipment, filter drier, solenoid, sight glass.

...see page P3

| CUB - M | | | | | | | | | | | | | | |
|---------|-------------|-----------------------|-------|-------|-------|-------|----------------------|----------------------|-------------|----------------|-------|--------|-----------------|------|
| Type | L T.evap | Cooling capacity (kW) | | | | | Max power input (kW) | Voltage (V) 3ph 50Hz | Weight (kg) | Dimensions (m) | | | Total price (€) | Note |
| | | 0°C | -5°C | -10°C | -15°C | -20°C | | | | Length | Width | Height | | |
| Type | L T.evap | -20°C | -25°C | -30°C | -35°C | -40°C | | | | | | | | |
| M | 2HES-2Y | 4,5 | 3,7 | 2,9 | 2,3 | 1,7 | 2,6 | 400...Y 230...D | 86 | 0,80 | 0,6 | 0,40 | | |
| | 2GES-2Y | 5,2 | 4,2 | 3,4 | 2,6 | 2,0 | 2,9 | | 87 | | | | | |
| | 2FES-2Y | 6,4 | 5,2 | 4,1 | 3,3 | 2,5 | 3,0 | | 94 | | | | | |
| | 2FES-3Y | 6,4 | 5,2 | 4,1 | 3,2 | 2,5 | 3,6 | | 96 | | | | | |
| | 2EES-2Y | 8,3 | 6,7 | 5,4 | 4,2 | 3,3 | 3,5 | | 123 | 0,94 | 0,64 | 0,46 | | |
| | 2EES-3Y | 8,3 | 6,7 | 5,4 | 4,2 | 3,3 | 4,2 | | 127 | | | | | |
| | 2DES-2Y | 9,9 | 8,0 | 6,4 | 5,1 | 3,9 | 4,1 | | 130 | | | | | |
| | 2DES-3Y | 9,9 | 8,0 | 6,4 | 5,1 | 3,9 | 4,7 | | 135 | | | | | |
| | 2CES-3Y | 12,2 | 9,9 | 8,0 | 6,3 | 4,9 | 5,2 | | 145 | | | | | |
| | 2CES-4Y | 12,2 | 9,9 | 8,0 | 6,3 | 4,9 | 5,8 | | 149 | | | | | |
| L | 2FES-2Y | 2,5 | 1,9 | 1,4 | 1,0 | 0,6 | 3,0 | 400..Y 230..D | 92 | 0,8 | 0,6 | 0,4 | | |
| | 2EES-2Y | 3,3 | 2,5 | 1,8 | 1,3 | 0,8 | 3,5 | | 121 | | | | | |
| | 2DES-2Y | 3,9 | 3,0 | 2,2 | 1,5 | 1,0 | 4,1 | | 128 | | | | | |
| | 2CES-3Y | 4,9 | 3,8 | 2,8 | 2,0 | 1,4 | 5,2 | | 139 | | | | | |

Optional parts condensing unit CUB



- 20 - HP / LP pressostat
- 21, 22 - HP or LP pressostat
- 23 - pressure gauge
- 24 - pressure transmitter
- 26 - fluent fan speed regulator
- 30 - ball valve - suction
- 31 - suction accumulator
- 32 - suction filter
- 40 - oil separator + equipment (1)
- 51 - check valve
- 52 - relief valve
- 57 - filter drier
- 58 - solenoid
- 59 - sight glass
- 60 - ball valve - liquid

(1)... oil equipment = check valve, sight glass, strainer, ball valve
 (2)... insulated with Armaflex (medium = 9 mm, low = 19 mm)
 (3)... only when making the frame

| M ... - 10 / 40°C L ... - 30 / 40°C | HP / LP pressostat | HP or LP pressostat | Fluent fan speed regulator | Pressure gauges | Pressure transmitter | Ball valve | Suction accumulator (3) | Suction filter shell + core (2) (3) | Oil separator + equipment (1) (3) | Relief valve | Filter drier | Solenoid | Sight glass | Ball valve | Frame with antiv. Footing |
|--|--------------------|---------------------|----------------------------|-----------------|----------------------|------------|-------------------------|-------------------------------------|-----------------------------------|--------------|--------------|----------|-------------|------------|---------------------------|
| | Controls | | | | Suction (2) | | | Discharge | | Liquid | | | | | |
| Type / Price (€) | | | | | | | | | | | | | | | |
| CUB | | | | | | | | | | | | | | | |
| M | 2HES-2Y | KP15 | KP1, or KP5 | RGE-Z1L4-7DS 3A | HP+LP | AKS 32R | D16 | D 22 | D22 | D16 | 28 bar | D10 | D10 | D10 | D10 |
| | 2GES-2Y | | | | | | | | | | | | | | |
| | 2FES-2Y | | | | | | | | | | | | | | |
| | 2FES-3Y | | | | | | | | | | | | | | |
| | 2EES-2Y | | | | | | | | | | | | | | |
| | 2EES-3Y | | | | | | | | | | | | | | |
| | 2DES-2Y | | | | | | | | | | | | | | |
| | 2DES-3Y | | | | | | | | | | | | | | |
| | 2CES-3Y | | | | | | | | | | | | | | |
| | 2CES-4Y | | | | | | | | | | | | | | |
| L | 2FES-2Y | KP15 | KP1, or KP5 | RGE-Z1L4-7DS 3A | HP+LP | AKS 32R | D22 | D22 | D22 | D16 | 28 bar | D10 | D10 | D10 | D10 |
| | 2EES-2Y | | | | | | | | | | | | | | |
| | 2DES-2Y | | | | | | | | | | | | | | |
| | 2CES-3Y | | | | | | | | | | | | | | |