

Condensing unit - indoor

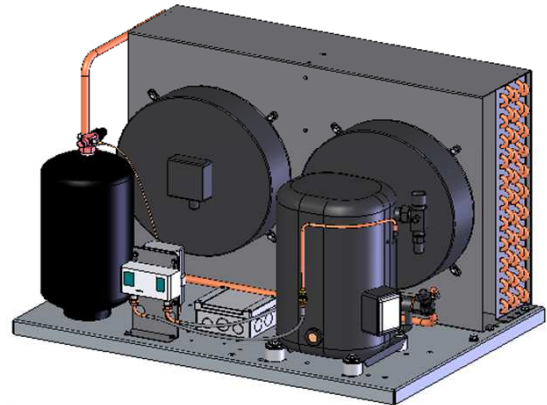
CUL

L'UNITE  
HERMETIQUE  
hermetic piston

Explanation of model example:

**CUL - M - 85**

Condensing unit  
Compressor L' unite  
Medium temperature  
Type of compressor



**R404A**

+ 5°C ~ - 15°C    **M - Medium temperature**  
- 20°C ~ - 35°C    **L - Low temperature**

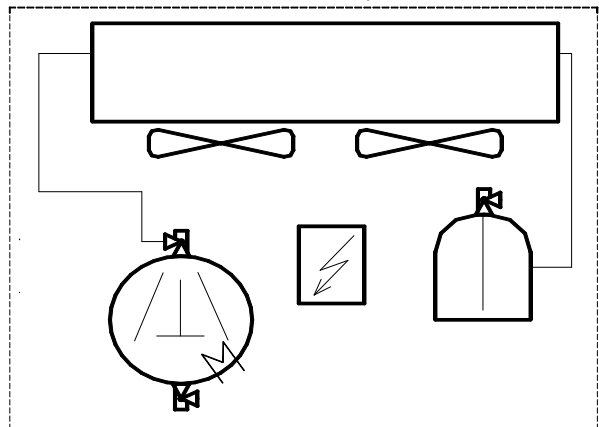
Suction gas temperature 20°C  
Liquid subcooling 0 K (EN 12900)  
Ambient temperature 32°C

**Included:**  
compressor with crankcase heating, air cooled condenser with 2 fans, liquid receiver with rotalock valve, base plate, cross electro box.

**Optional:**  
HP/LP protection pressostat, HP or LP pressostat, fluent fan speed regulator, pressure gauge, pressure transmitter, ball valve, suction filter, relief valve, filter drier, solenoid, sight glass.

...see page P2

Scheme with included parts:

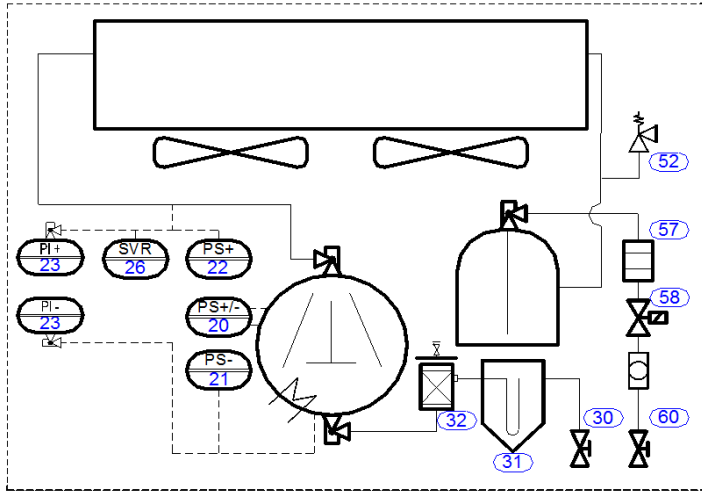


CUL

Type M	T.evap	Cooling capacity (kW)				Compressor	Max power input (kW)	Voltage (V) 3ph 50Hz	Weight (kg)	Dimensions (m)			Total price (€)	Note
		+5°C	0°C	-10°C	-15°C					Length	Width	Height		
Type L	T.evap	-20°C	-25°C	-30°C	-35°C									
M	23	3,9	3,3	2,4	2,0	TAJ 4517Z	1,8	400...Y	55	0,80	0,60	0,40		
	27	4,9	4,2	3,0	2,5	TAJ 4519Z	2,4		57					
	42	7,1	6,1	4,3	3,5	TFH 4531Z	3,4		65	0,94	0,64	0,46		
	50	8,8	7,6	5,4	4,3	TFH 4540Z	4,4		68					
	60	10,9	9,3	6,2	4,8	TAG 4546Z	4,4		90	0,94	0,64	0,61		
	73	-	10,8	7,5	6,2	TAG 4561Z	5,9		92					
	85	-	12,7	8,9	7,2	TAG 4568Z	6,7		110					
	89	-	13,2	9,4	7,8	TAG 4573Z	7,4		113					
L	12	1,9	1,5	1,1	0,8	TAJ 2464Z	1,4	400...Y	61	0,80	0,60	0,40		
	16	2,5	2,0	1,6	1,2	TFH 2480Z	1,7		65					
	21	3,4	2,7	2,1	1,5	TFH 2511Z	2,2		68	0,94	0,64	0,46		
	31	5,0	4,0	3,1	2,3	TAG 2516Z	3,2		90					
	40	6,6	5,3	4,1	3,1	TAG 2522Z	3,8		92					

Optional parts condensing unit

CUL



- 20 - HP / LP pressostat
- 21 - LP pressostat
- 22 - HP pressostat
- 23 - pressure gauge
- 26 - fluent fan speed regulator
- 30 - ball valve - suction
- 31 - suction accumulator
- 32 - suction filter
- 52 - relief valve
- 57 - filter drier
- 58 - solenoid
- 59 - sight glass
- 60 - ball valve - liquid

(2)... insulated with Armaflex (medium = 9 mm, low = 19 mm)

M ... -10 / 40°C L ... -30 / 40°C	HP / LP pressostat	HP or LP pressostat	Fluent fan speed regulator	Pressure gauges	Ball valve	Suction accumulator	Suction filter shell + core (2)	Relief valve	Filter drier	Solenoid	Sight glass	Ball valve	
	Controls			Suction			Discharge, Liquid						
Type / Price (€)													
CUL													
M	23	KP15	KP1, or KP5	RGE-Z1L4-7DS 3A	HP+LP	D22	D 22	D22	28 bar	D10	D10	D10	D10
	27												
	42												
	50												
	60												
	73												
	85												
89													
L	16	D 18	D 22	D22	D 22	D22	D10	D10	D10	D10	D10		
	21												
	31												
	40												