

Condensing unit - indoor

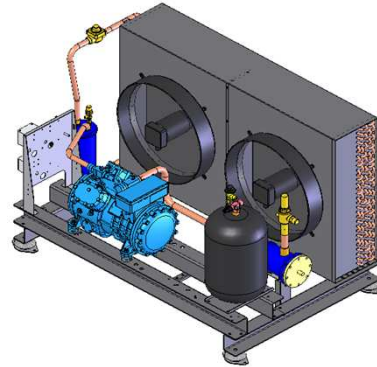
CUF - M

FRASCOLD
semi-hermetic
reciprocating

Explanation of model example:

C U F - M - Q5 28.1Y

Condensing unit	Compressor Frascold	Medium temperature	Type of compressor	with Ester oil
-----------------	---------------------	--------------------	--------------------	----------------



R404A

0°C ~ - 20°C

M - Medium temperature

Suction gas superheat 10°C
Liquid subcooling 2 K
Ambient temperature 32°C

Included:

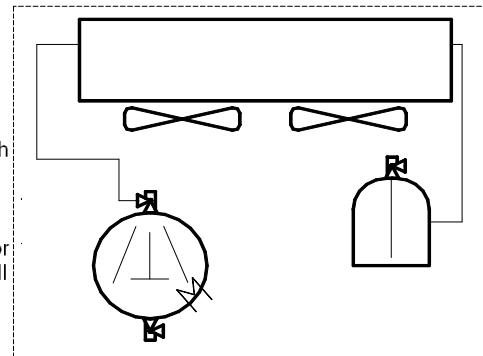
compressor with crankcase heating, air cooled condenser with 2 fans, frame with antivibration footing, liquid receiver with rotalock valve.

Optional:

capacity regulator 50%, electronic oil control, HP/LP protection pressostat, HP or LP pressostat, fluent fan speed regulator, pressure gauges and transmitters, ball valves, suction filter, oil separator with equipment, filter drier, solenoid, sight glass.

...see page P4f1

Scheme with included parts:



CUF - M		Cooling capacity (kW)					Max power input (kW)	Voltage (V) 3ph 50Hz	Weight (kg)	Dimensions (m)			Total price (€)	Note
Type M	T.evap	0°C	-5°C	-10°C	-15°C	-20°C				Length	Width	Height		
Q4 20.1Y	-	11,5	9,2	7,3	5,7	5,4	230...D	165	1,20	0,85	0,80			
Q4 21.1Y	-	12,3	9,8	7,6	5,8	5,5								
Q5 21.1Y	15,0	12,2	9,8	7,7	5,9	6,3								
Q4 24.1Y	-	13,6	10,9	8,7	6,7	6,6								
Q5 24.1Y	17,2	14,0	11,1	8,8	6,8	7,6								
Q4 25.1Y	-	14,1	11,3	8,9	6,8	6,7								
Q5 25.1Y	17,8	14,4	11,6	9,2	7,1	7,8								
Q7 25.1Y	17,9	14,4	11,4	9,0	6,9	8,0								
Q5 28.1Y	-	16,4	13,3	10,6	8,3	7,9								
Q7 28.1Y	20,7	16,8	13,6	10,8	8,4	7,9								
Q5 33.1Y	-	-	15,5	12,4	9,8	8,2	400...Y	205	1,30	0,85	0,90			
S5 33Y	-	-	16,2	13,0	10,3	7,9								
S7 33Y	24,2	19,7	16,0	12,8	10,1	9,6								
Q7 33.1Y	23,8	19,4	15,7	12,5	9,8	10,7								
Q7 36.1Y	-	22,0	17,8	14,1	11,1	10,3								
S8 42Y	-	25,2	20,4	16,3	12,8	11,3								
S12 42Y	29,6	23,9	19,1	15,0	11,5	12,4								
S10 52Y	-	30,8	24,9	20,0	15,9	14,6								
S15 52Y	38,5	31,5	25,6	20,6	16,2	16,9								
S15 56Y	-	34,6	27,9	22,3	17,7	15,8								
S20 56Y	42,4	34,7	28,2	22,7	18,0	18,7								
V15 59Y	-	35,5	28,7	23,0	18,3	17,0	400...Y	320	1,60	1,00	1,10			
V20 59Y	43,4	35,1	27,9	21,9	16,9	18,7								
V15 71Y	-	42,2	34,1	27,3	21,6	18,6								
V25 71Y	52,1	42,1	33,6	26,4	20,4	22,5								
V20 84Y	-	48,5	39,3	31,4	24,7	23,1								
V30 84Y	62,6	50,8	40,7	32,2	25,0	27,1								
V25 93Y	-	53,7	43,1	34,1	26,4	24,6								
V32 93Y	68,3	54,9	43,5	33,9	25,9	29,5								
V25 103Y	-	-	49,8	39,6	30,8	26,3								
V35 103Y	73,3	60,0	48,7	38,9	30,6	36,6								

Condensing unit - indoor

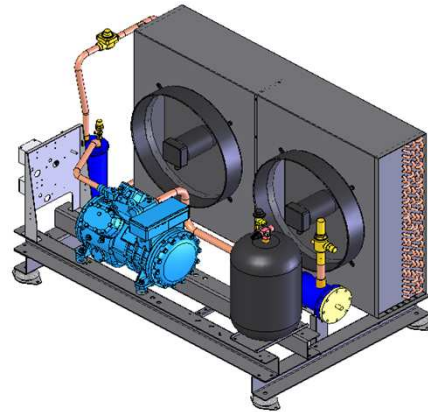
CUF - L

FRASCOLD
semi-hermetic
reciprocating

Explanation of model example:

CUF - L - Q5 28.1Y

Condensing unit
Compressor Frascold
Low temperature
Type of compressor
with Ester oil



R404A

- 20°C ~ - 40°C L - Low temperature

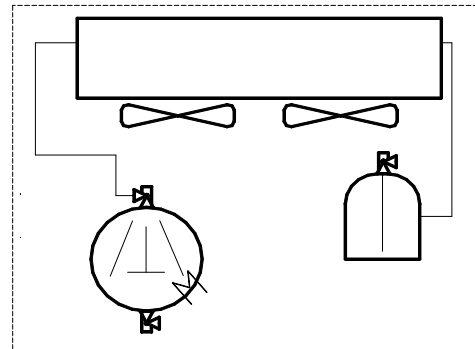
Suction gas superheat 10°C
Liquid subcooling 2 K
Ambient temperature 32°C

Included:
compressor with crankcase heating, air cooled condenser with 2 fans, frame with antivibration footing, liquid receiver with rotalock valve

Optional:
capacity regulator 50%, electronic or mechanical oil control, HP/LP protection pressostat, HP or LP pressostat, fluent fan speed regulator, pressure gauges and transmitters, ball valves, suction accumulator and filter, oil separator with equipment, filter drier, solenoid, sight glass.

...see page P4f2

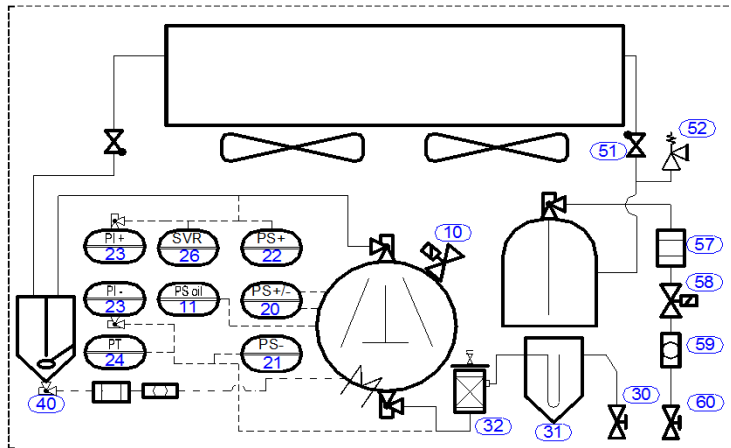
Scheme with included parts :



Note: (2) ... no antivibration footing, only base plate

CUF - L																
Type L T.evap	Cooling capacity (kW)					Max power input (kW)	Voltage (V) 3ph 50Hz	Weight (kg)	Dimensions (m)			Total price (€)	Note			
	-20°C	-25°C	-30°C	-35°C	-40°C				Length	Width	Height					
Q4 20.1Y	5,7	4,3	3,2	2,3	1,6	9,6	230...D 400...Y	165					(2)			
Q4 21.1Y	5,8	4,4	3,2	2,2	1,5	9,9		168					0,94	0,64	0,46	(2)
Q4 24.1Y	6,7	5,1	3,8	2,7	1,8	11,0		168					0,94	0,64	0,61	(2)
Q4 25.1Y	6,8	5,1	3,8	2,6	1,7	11,5		180	(2)							
Q5 28.1Y	8,3	6,4	4,8	3,4	2,4	13,4		180								
Q5 33.1Y	9,8	7,6	5,8	4,4	3,1	21,3		184								
Q7 36.1Y	11,1	8,5	6,4	4,6	3,2	18,4		184								
S5 33Y	10,3	8,0	6,2	4,6	3,2	16,8	400...YY	182	1,12	0,85	0,84					
S8 42Y	12,8	9,9	7,4	5,3	3,5	20,2		186	1,30	0,85	0,95					
S10 52Y	15,9	12,5	9,6	7,1	4,9	26,9		205								
S15 56Y	17,7	13,8	10,5	7,7	5,2	28,8		209								
V15 59Y	18,3	14,3	10,9	8,0	5,5	29,6		209	1,60	1,00	1,10					
V15 71Y	21,6	16,9	12,9	9,5	6,5	28,7		279								
V20 84Y	24,7	19,1	14,4	10,6	7,5	38,2		317								
V25 93Y	26,4	20,1	14,7	10,4	6,7	43,4		317								
V25 103Y	30,8	23,4	17,3	12,3	8,4	37,7		317								

Optional parts condensing unit CUF - M

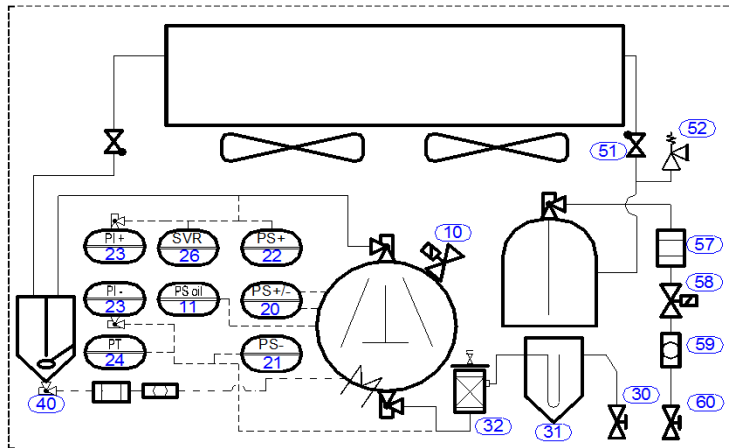


- 10 - capacity regulator
- 11 - oil control electronic
- 20 - HP / LP pressostat
- 21, 22 - HP or LP pressostat
- 26 - fluent fan speed regulator
- 24 - pressure transmitter
- 23 - pressure gauge
- 30 - ball valve - suction
- 31 - suction accumulator
- 32 - suction filter
- 40 - oil separator + equipment ⁽¹⁾
- 51 - check valve
- 52 - relief valve
- 57 - filter drier
- 58 - solenoid
- 59 - sight glass
- 60 - ball valve - liquid

(1) ... oil equipment = check valve, sight glass, strainer, ball valve
 (2) ... insulated with Armaflex (medium = 9 mm, low = 19 mm)
 (3) ... 4FC3.2, 4EC4.2, 4DC5.2 only when making the frame

M ... - 10 / 40°C L ... - 30 / 40°C	Capacity regulator	Oil control mechanic	Oil control electronic	HP / LP pressostat	HP or LP pressostat	Fluent fan speed regulator	Pressure gauges	Pressure transmitter	Ball valve	Suction accumulator	Suction filter shell + core	Oil separator + equipment	Relief valve	Filter drier	Solenoid	Sight glass	Ball valve	Frame with antiv. footing								
	Compressor		Controls				Suction			Discharge	Liquid															
Type / Price (€)																										
CUF																										
M	Q4 20.1Y	EVRF (50%)	OLC-K1	B.Cover + OLC-K1	KP15	KP1 or KP5	RGE-Z1N4-7DS 4A	HP+LP	AKS 32R																	
	Q4 21.1Y									D22	D 22	D22														
	Q4 24.1Y									D28	D28	D28														
	Q5 21.1Y																									
	Q5 24.1Y																									
	Q4 25.1Y																									
	Q5 25.1Y																									
	Q7 25.1Y																									
	Q5 28.1Y																									
	Q7 28.1Y																									
	Q5 33.1Y																									
	S5 33Y																									
	S7 33Y																									
	Q7 33.1Y																									
	Q7 36.1Y																									
	S8 42Y																									
	S12 42Y																									
	S10 52Y																									
	S15 52Y																									
	S15 56Y																									
S20 56Y																										
V15 59Y																										
V20 59Y																										
V15 71Y																										
V25 71Y																										
V20 84Y																										
V30 84Y																										
V25 93Y																										
V32 93Y																										
V25 103Y																										
V35 103Y																										

Optional parts condensing unit CUF - L



- 10 - capacity regulator
- 11 - oil control electronic
- 20 - HP / LP pressostat
- 21, 22 - HP or LP pressostat
- 26 - fluent fan speed regulator
- 24 - pressure transmitter
- 23 - pressure gauge
- 30 - ball valve - suction
- 31 - suction accumulator
- 32 - suction filter
- 40 - oil separator + equipment (1)
- 51 - check valve
- 52 - relief valve
- 57 - filter drier
- 58 - solenoid
- 59 - sight glass
- 60 - ball valve - liquid

(1) ... oil equipment = check valve, sight glass, strainer, ball valve
 (2) ... insulated with Armaflex (medium = 9 mm, low = 19 mm)
 (3) ... 4FC3.2, 4EC4.2, 4DC5.2 only when making the frame

M ... - 10 / 40°C L ... - 30 / 40°C	Capacity regulator	Oil control mechanic	Oil control electronic	HP / LP pressostat	HP or LP pressostat	Fluent fan speed regulator	Pressure gauges	Pressure transmitter	Ball valve	Suction accumulator	Suction filter shell + core	Oil separator + equipment	Relief valve	Filter drier	Solenoid	Sight glass	Ball valve	Frame with antiv. footing										
	Compressor	Controls							Suction	Discharge	Liquid																	
Q4 20.1Y	EVRF (50%)	MP54	Delta P	B.Cover + OLC-K1	KP15	KP1, or KP5	RGE-Z1L4-7DS 3A	HP+LP	AKS 32R	D22	D22	D22	D16	D10	D10	D10	D10	standard										
Q4 21.1Y										D28	D28	D28		D22	D12	D12	D12		D12									
Q4 24.1Y										D28	D28	D28			D12	D12	D12		D12									
Q4 25.1Y																												
Q5 28.1Y																												
Q5 33.1Y																												
S5 33Y																												
Q7 36.1Y																												
S8 42Y																												
S10 52Y																												
S15 56Y																												
V15 59Y																												
V15 71Y																												
V20 84Y																												
V25 93Y																												
V25 103Y																												